



IP2373EN • 2020-07-08

Ditec



Ditec TS35

Technical Manual

Automation for swing gates

(Translation of the original instructions)

Contents

	Subject	Page
1.	General safety precautions	3
2.	Declaration of incorporation of partly completed machinery	4
2.1	Machinery Directive	4
3.	Technical specifications	5
3.1	Gearmotor dimensions	5
4.	Standard installation	6
5.	Installation	7
5.1	Preliminary checks	7
5.2	Fastening the brackets	8
5.3	Electrical connections	10
6.	Release instructions	11
7.	Routine maintenance plan	11
8.	Troubleshooting	12
9.	Disposal	12

Key



This symbol indicates instructions or notes regarding safety, to which special attention must be paid.



This symbol indicates useful information for the correct operation of the product.

1. General safety precautions



Failure to respect the information given in this manual may cause personal injury or damage to the device.

Keep these instructions for future reference

This installation manual is intended for qualified personnel only.

Installation, electrical connections and adjustments must be performed in accordance with Good Working Methods and in compliance with the present standards.

Read the instructions carefully before installing the product.

Incorrect installation could be dangerous.

Before installing the product, make sure it is in perfect condition.


Before installing the motorisation device, make all the necessary structural modifications to create safety clearance and to guard or isolate all the crushing, shearing, trapping and general hazardous areas.

Make sure the existing structure is up to standard in terms of strength and stability. The motorisation device manufacturer is not responsible for failure to observe Good Working Methods when building the frames to be motorised, or for any deformations during use.

The safety devices (photocells, safety edges, emergency stops, etc.) must be installed taking into account the applicable laws and directives, Good Working Methods, installation premises, system operating logic and the forces developed by the motorized gate. The safety devices must protect the crushing, shearing, trapping and general hazardous areas of the motorised door.

Display the signs required by law to identify hazardous areas.

Each installation must bear a visible indication of the data identifying the motorized gate.

 When requested, connect the motorized gate to an effective earthing system that complies with current safety standards.

During installation, maintenance and repair operations, cut off the power supply before opening the cover to access the electrical parts.

The automation protection casing must be removed by qualified personnel only.

 The manufacturer of the motorisation device declines all responsibility if component parts not compatible with safe and correct operation are fitted.

Only use original spare parts when repairing or replacing products.

The installer must supply all information on the automatic, manual and emergency operation of the motorised gate, and must provide the user with the operating instructions.

2. Declaration of incorporation of partly completed machinery

(Directive 2006/42/EC, Annex II-B)

The manufacturer Entrematic Group AB, with headquarters in Lodjursgatan 10, SE-261 44 Landskrona, Sweden, declares that the Ditec TS35AC automation for swing gates:

- is designed to be installed on a manual gate to form a machine pursuant to Directive 2006/42/EC. The manufacturer of the motorised gate must declare conformity with Directive 2006/42/EC (annex II-A) prior to initial machine start-up;
- complies with the applicable essential safety requirements indicated in Annex I, Chapter 1 of the Directive 2006/42/EC;
- complies with the Electromagnetic Compatibility Directive 2014/30/EU;
- complies with the RED Directive 2014/53/EU;
- the technical documentation complies with Annex VII-B of the Directive 2006/42/EC;
- the technical documentation is managed by the Technical Office of Entrematic Italy (with headquarters in Largo U. Boccioni 1 – 21040 Origgio (VA) – ITALY) and is available upon request, sending an e-mail to ditec@entrematic.com;
- a copy of the technical documentation will be given to competent national authorities, following a suitably justified request.

Landskrona, 2020-07-08

Matteo Fino
(Chairman)



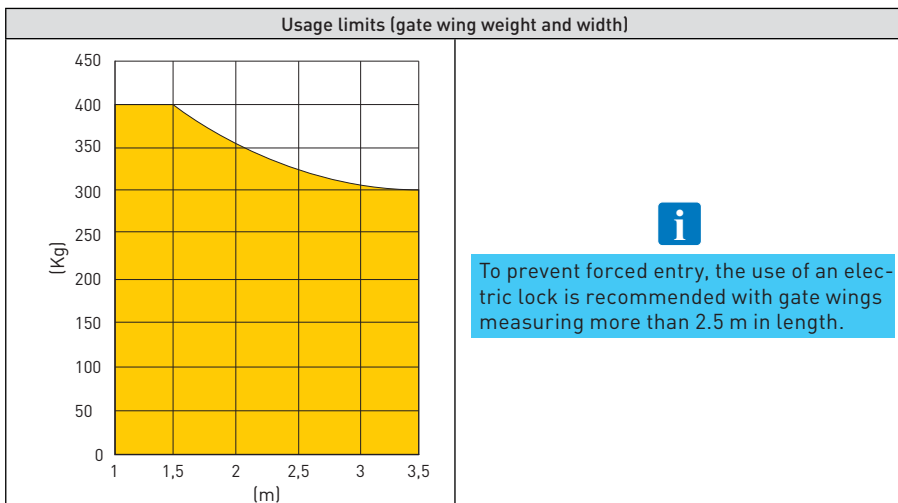
2.1 Machinery Directive

Pursuant to the Machinery Directive (2006/42/EC), the installer who motorises a door or gate has the same obligations as the manufacturer of machinery and as such must:

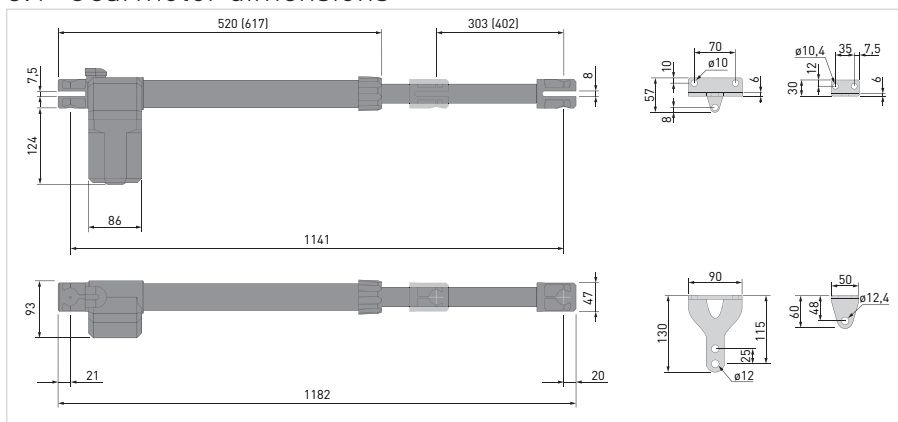
- prepare the technical data sheet which must contain the documents indicated in Annex V of the Machinery Directive;
- (the technical data sheet must be kept and placed at the disposal of competent national authorities for at least ten years from the date of manufacture of the motorised door or gate);
- draw up the EC Declaration of Conformity in accordance with Annex II-A of the Machinery Directive and deliver it to the customer;
- affix the EC marking on the motorised door or gate, in accordance with point 1.7.3 of Annex I of the Machinery Directive.

3. Technical specifications

Power supply	230V~ / 50Hz
Max absorption	1,5A
Power absorbed	330W
Capacitor	8 μ F
Max thrust	3500N
Maximum stroke	400mm
Opening time	18-22s / 90°
Intermittence	S2= 10min / S3= 30%
Lifespan	100000 cycles
Operating temperature	-20°C / +55°C
Degree of protection	IP33
Dimensions (mm)	1182x93x174
Weight (kg)	4,00

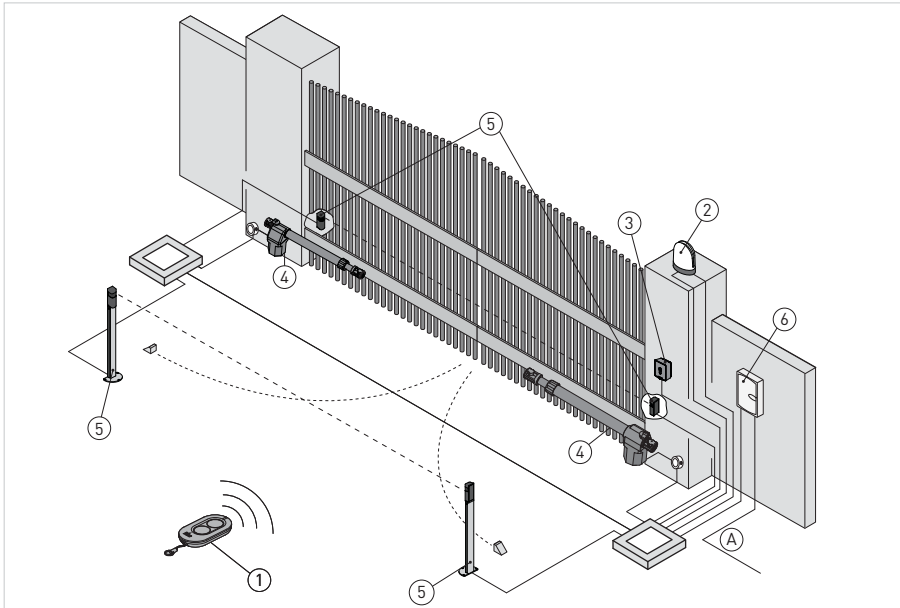


3.1 Gearmotor dimensions

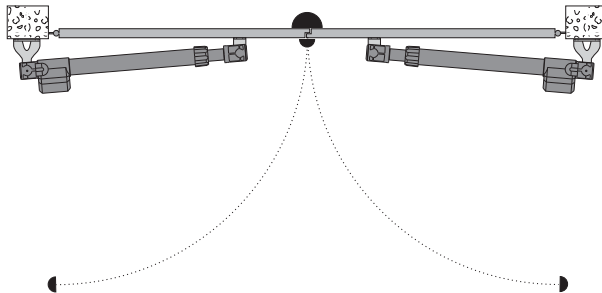


IP2373EN

4. Standard installation



Ref.	Description	Cable
1	Transmitter	/
2	Flashing light	2 x 1mm ²
	Antenna (integrated in the flashing light)	RG58 50Ω
3	Key selector switch	4 x 0,5mm ²
	Digital combination wireless keypad	/
4	Actuator	4 x 1,5mm ²
5	Photocells	4 x 0,5mm ²
6	Control panel	3G x 1,5 mm ²
A	Connect the power supply to a type-approved omnipolar switch (not supplied), with a contact opening distance of at least 3mm. Connection to the mains must be via an independent channel, separated from the connections to the command and safety devices.	



Left wing (TS35ACS)

Right wing (TS35ACD)



The gearmotors are left and right and are different from each other.

5. Installation

The declared operating and performance features can only be guaranteed with the use of Ditec accessories and safety devices.

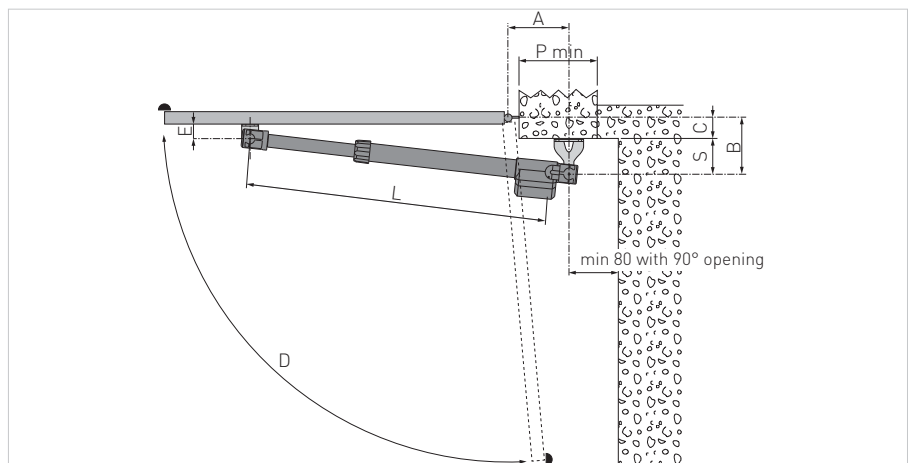
5.1 Preliminary checks

Make sure the gate structure is sturdy and the hinges are lubricated and smooth. Install a stop in the open and closed positions (the mechanical structural elements must be compliant with the requirements of the standard EN12604).

Check that the installation measurements are correct in relation to the distance between the hinge of the wing and the corner of the pillar [C] and the desired opening angle [D].

i The automation fastening point varies according to the space available and the gate to be automated. The installer must therefore choose the best solution to ensure that the system works correctly in each individual situation.

The installation measurements indicated in the table allow you to choose the values of [A] and [B] on the basis of the required opening angle and in relation to the on-site spaces and overall dimensions. Increasing measurement [A], you reduce the opening approach speed. Reducing measurement [B], you increase the gate opening angle. Measurements [A] and [B] must, however, be compatible with the effective piston stroke

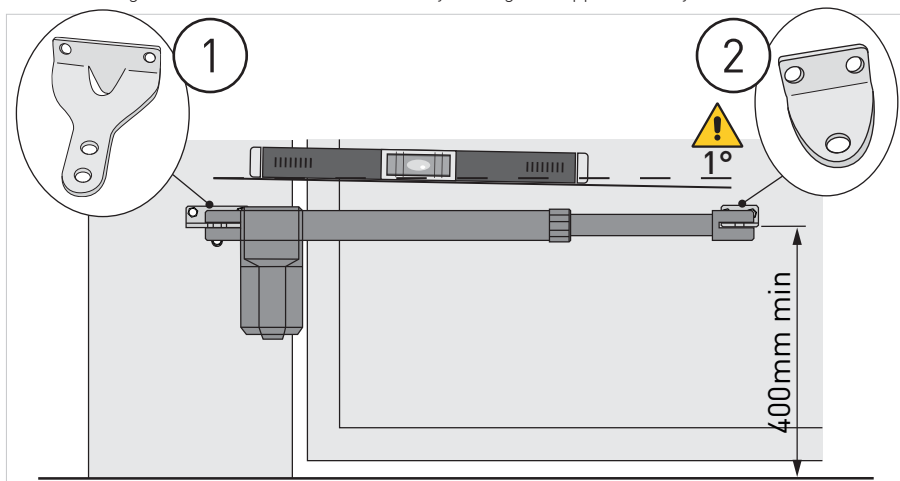


Tab. 5.1

A	B	C	S	D	E	L	P min
150	130	15	115	110°	46	1120	170
160	120	30	90	105°			180
160	160	45	115	100°			180
100	165	50	115	90°			120
130	160	70	90	95°			150
120	200	85	115	95°			140
150	200	85	115	90°			170
130	190	100	90	95°			150
130	220	105	115	90°			150

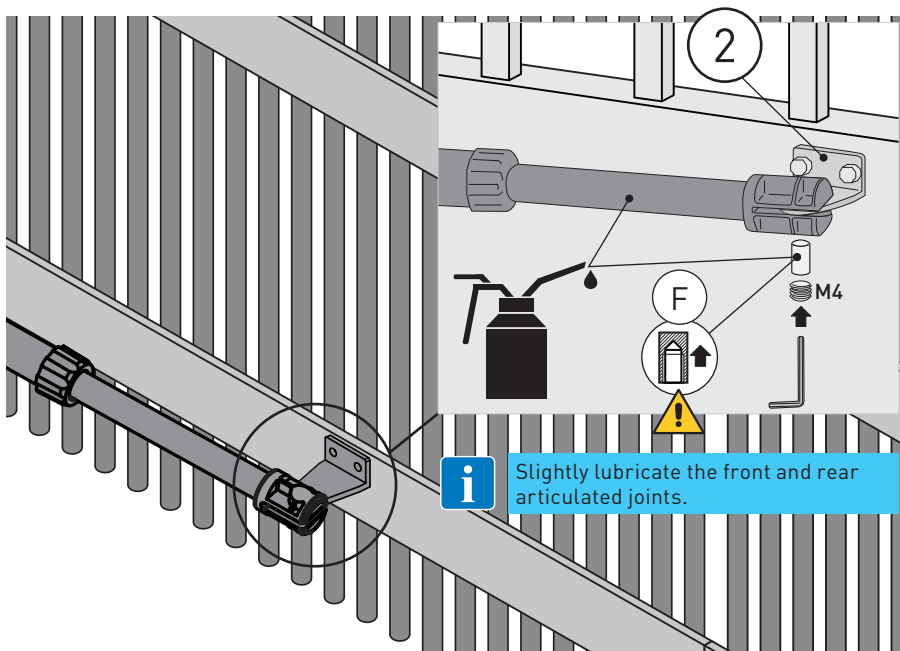
i Unless otherwise specified, all measurements are expressed in mm.

- Install the gear motor so that it is inclined by an angle of approximately 1°.



- Fit the head bracket (2) and fasten the piston to the head bracket with the pin (F) included.
- Unlock the gear motor and check, by moving the gate manually, that the gate moves freely

i To work correctly, the gear motors must be assembled with the motor casing at the bottom.

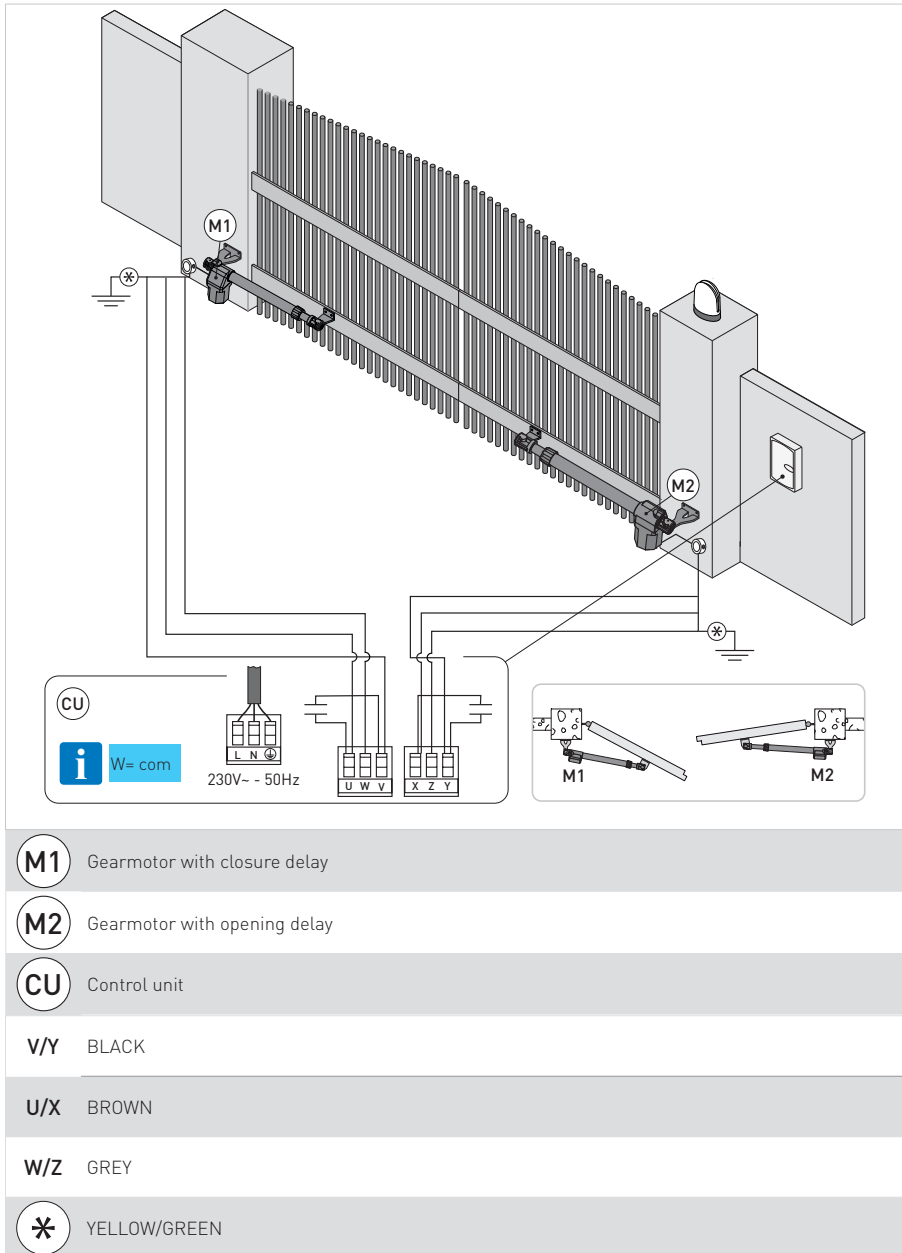


i Slightly lubricate the front and rear articulated joints.

throughout its entire stroke without impediment.

5.3 Electrical connections

The gear motors TS35AC may be connected to the LCA70 and LCA80 electronic control panels. The electrical connections and the procedure for setting up Ditec TS35 gear motors are illustrated in the figure and in the installation manuals of the LCA70 (-> link) and LCA80 (-> link) electronic control panels.



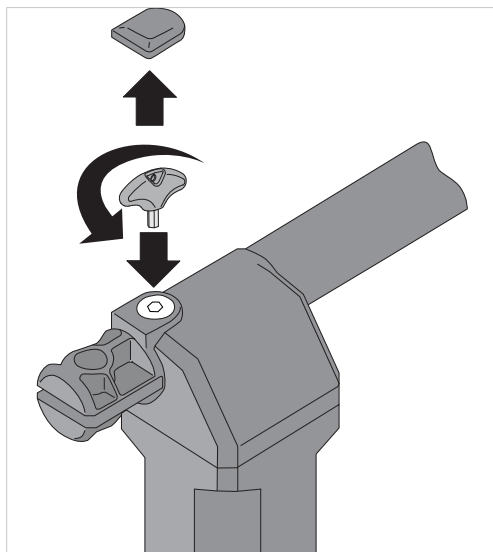
6. Release instructions

In the event of a fault or a power failure, open the window, insert the key in the relative lock and turn it clockwise (as indicated by the arrow). Release the electric lock (if present).

Manually open the gate. To lock the gate again, close the hatch, turn the key anticlockwise and remove the key.



WARNING: the gate lock and release operations must be performed with the motor idle. Do not enter within the operating range of the gate.



7. Routine maintenance plan

Carry out the following operations and checks every 6 months or 36.000 cycles.

Disconnect the 230V~ power supply:

- Clean and lubricate the gate rotation pins, hinges and drive screw with neutral grease.
- Check the resistance of the fixing points.
- Check the electrical connections are in good condition.

Reconnect the 230V~ power supply:

- Check the power adjustment.
- Check all the commands and safety functions (photocells) are operating correctly.
- Check the release system is working correctly.



NOTE: for spare parts, refer to the spares price list.

8. Troubleshooting

Problem	Possible cause	Operation
The gate doesn't open or close.	No power supply.	Make sure the mains supply is active.
	Gearmotor released.	See the release instructions.
	Photocells occupied.	Check the photocells are clean and operating correctly.
	Permanent STOP command.	Check the STOP command or the control panel.
	Faulty selector.	Check the selector or control panel.
	Faulty remote control.	Check the condition of the batteries.
Il cancello apre ma non chiude.	Electric lock not working.	Check the lock is positioned and working correctly.
	Photocells occupied.	Check the photocells are clean and operating correctly.

9. Disposal



The packaging components (cardboard, plastic, etc.) must be separated out for recycling. Refer to the local disposal regulations before proceeding.

The packaging materials must not be discarded in the environment or left within reach of children, as they are a potential source of danger.



To dispose of electrical and electronic equipment, batteries and accumulators correctly, take the product to the differentiated disposal and recycling centres, respecting the regulations in force.

